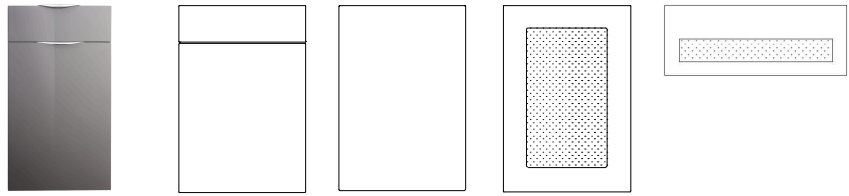


OTTO GLOSS

Finishes:

- 490-WG White Gloss
- 490-CG Cashmere Gloss
- 490-PG Porcelain Gloss
- 490-GG Graphite Gloss

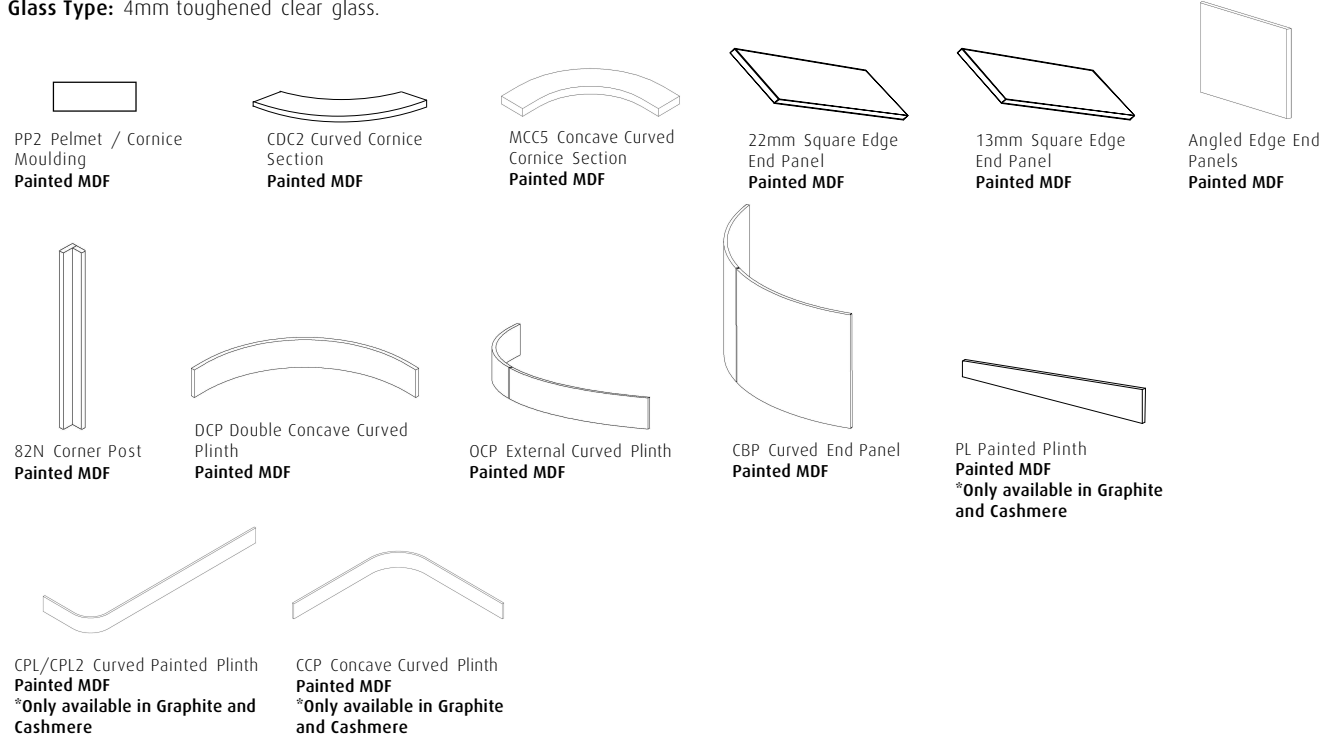


Door Construction: 22mm thick MDF core, high gloss lacquered finish with matching melamine (matt) back.

Special Sizes: Available, contact Customer Services for details.

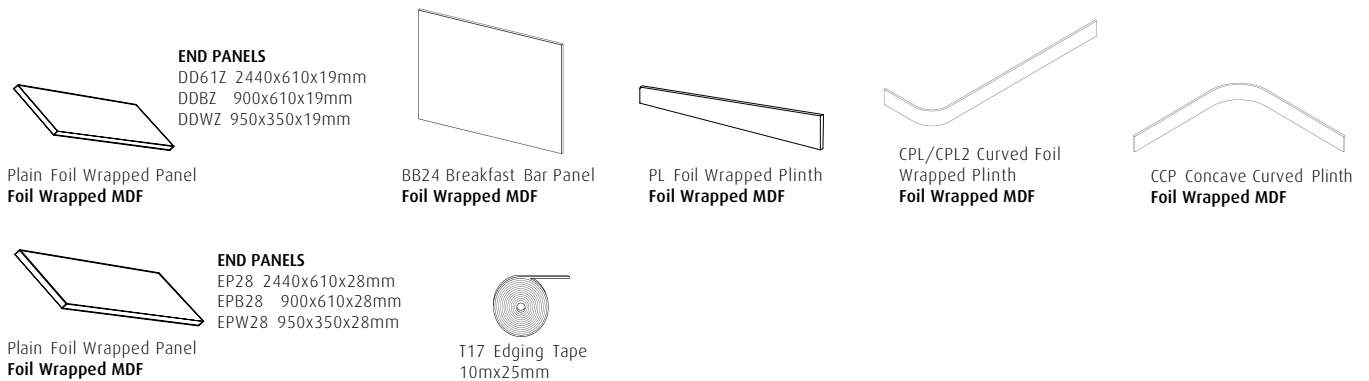
Curved Elements: Curved doors available.

Glass Type: 4mm toughened clear glass.



Compatible Accessories:

Not available in Cashmere Gloss and Graphite Gloss



Burbidge
Crafted Design